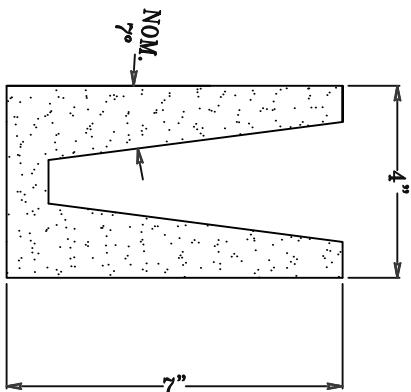


Customer Signature:

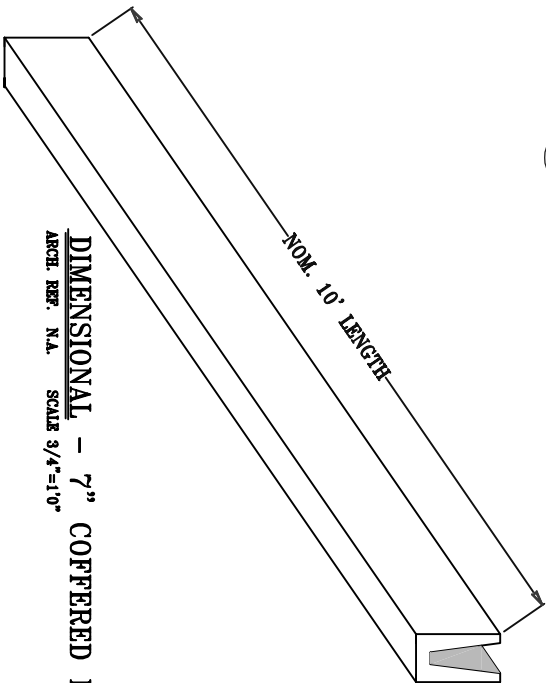
Date:

MADE IN THE U.S.A.

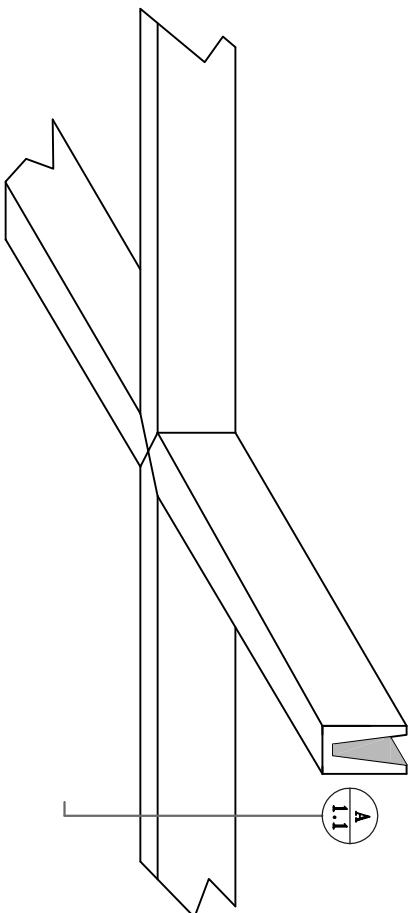
- NOTES:
1. FINISHED PART MAY VARY SLIGHTLY FROM DRAWING.
 2. BLOCKING AREA ON BACK OF PART MAY BE SLIGHTLY DIFFERENT THEN DRAWING SPECIFICS. USE ONLY PRODUCTION PART FOR BLOCKING ON FINISHED SURFACE.
 3. 01-206-16 Moulding HAS BEEN REMOVED.



SECTION - 7" COFFERED BEAM (PLAIN)
 ARCH. REF. N.A. SCALE 3/4"=1'-0"



DIMENSIONAL - 7" COFFERED BEAM (PLAIN)
 ARCH. REF. N.A. SCALE 3/4"=1'-0"



DIMENSIONAL - 7" COFFERED BEAM ASSEMBLY
 ARCH. REF. N.A. SCALE : N.A.
 (PLAIN) W/ NO DECORATIVE CAP

DWG NO: MACB-102

DWG TITLE: 7" X 4" COFFERED BEAM (PLAIN)

DWG BY:	DATE:	REV. 1	REV. 2	REV. 3	REV. 4
	10-8-18	4-22-19			

FILED UNDER:	SCALE:	REV. 1	REV. 2	REV. 3	REV. 4
DRAWINGS	SEE ABOVE				

ITEM NO: MACB-102

DIM. TOLERANCE: N.A.



ALL ITEMS ARE DRAWN FOR PRESENTATION PURPOSES ONLY, THEREFORE IMAGE SHOWN MAY VARY SLIGHTLY FROM FINISHED ACTUAL PART. DRAWING SHOWN IS TO INDICATE GENERAL ARRANGEMENT AND DESIGN. MOOSE ARCH RESERVES THE RIGHT TO CHANGE ANY PRODUCT DESIGN WITHOUT NOTIFICATION.