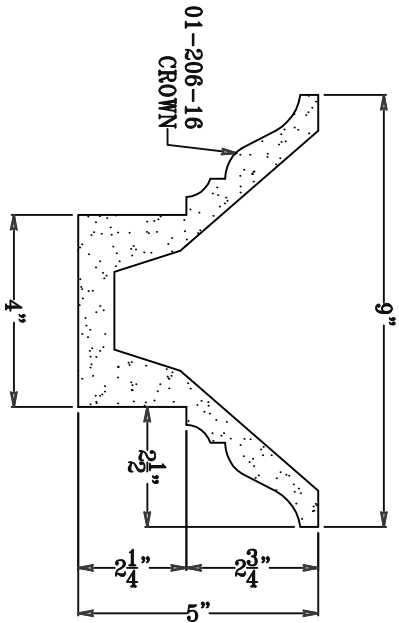


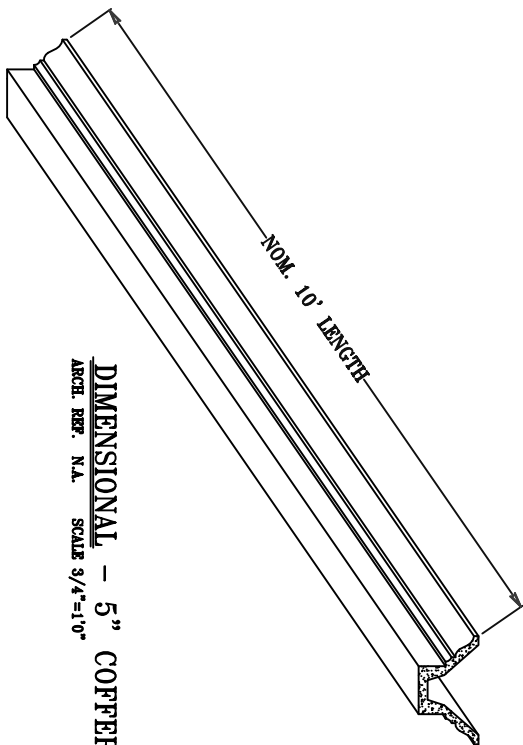
Customer Signature:

Date:

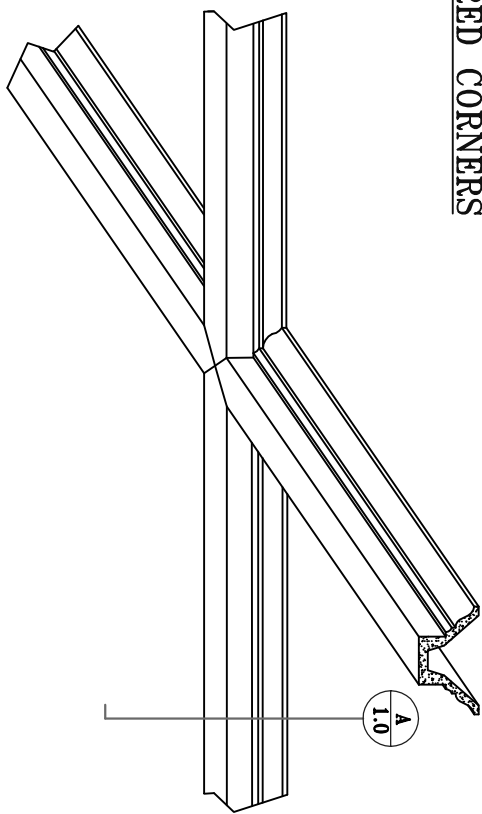
MADE IN THE U.S.A.



**SECTION - 5" COFFERED BEAM**  
 1.0 ARCH. REF. N.A. SCALE 3"=1'-0"



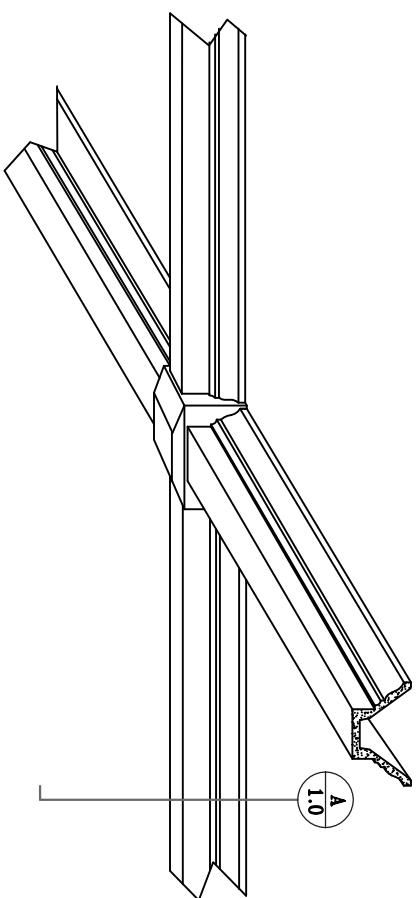
**DIMENSIONAL - 5" COFFERED BEAM**  
 ARCH. REF. N.A. SCALE 3/4"=1'-0"



**MITRED CORNERS**

**USING CBB-101  
 DECORATIVE CAP**

(NOTE: 2" WOULD NEED TO BE CUT FROM BASE OF CBB-101)



DWG NO: MACB-401

DWG TITLE: 5" X 4" COFFERED BEAM

DWG BY:	DATE:	REV. 1	REV. 2	REV. 3	REV. 4	REV. 5
	1-23-19					

FILED UNDER:	SCALE:	ITEM NO:
DRAWINGS	SEE ABOVE	MACB-401

DIM. TOLERANCE:
N.A.

ALL ITEMS ARE DRAWN FOR PRESENTATION PURPOSES ONLY, THEREFORE IMAGE SHOWN MAY VARY SLIGHTLY FROM FINISHED ACTUAL PART. DRAWING SHOWN IS TO INDICATE GENERAL ARRANGEMENT AND DESIGN. MOOSE ARCH RESERVES THE RIGHT TO CHANGE ANY PRODUCT DESIGN WITHOUT NOTIFICATION.

