

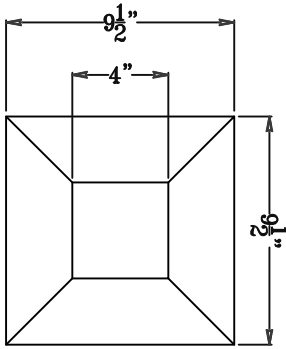
Customer Signature:

Date:

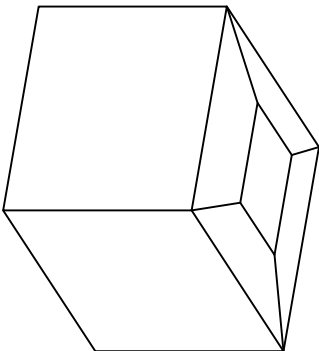
MADE IN THE U.S.A.

**7-1/4" X 9-1/2" DECORATIVE CAP
FOR CB-101-C & CB-101-R-C**

NOTE: FINISHED PART MAY VARY SLIGHTLY FROM DRAWING. THERE WILL BE A HOLLOW OR BLOCKED AREA INSIDE THE PART.



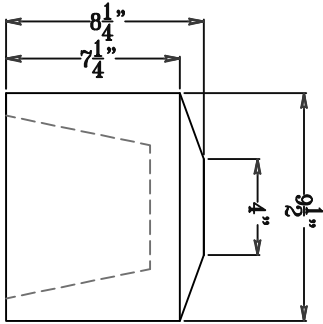
PLAN - BLOCK
ARCH. REF. N.A. SCALE 1-1/2"=1'0"



DIMENSIONAL - BLOCK
ARCH. REF. N.A. SCALE: N.A.

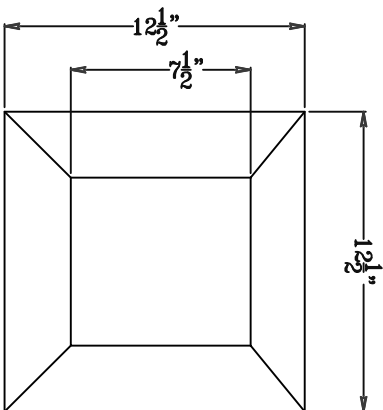
CBB-101

ELEV. - BLOCK
ARCH. REF. N.A. SCALE 1-1/2"=1'0"

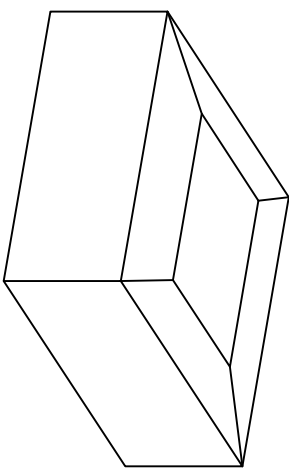


**4-1/4" X 12-1/2" DECORATIVE CAP
FOR CB-201-C & CB-201-R-C**

NOTE: FINISHED PART MAY VARY SLIGHTLY FROM DRAWING. THERE WILL BE A HOLLOW OR BLOCKED AREA INSIDE THE PART.



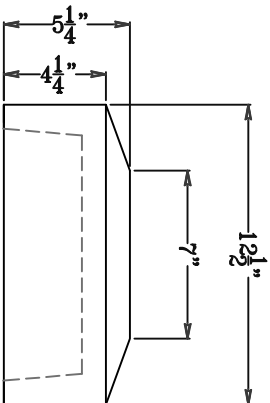
PLAN - BLOCK
ARCH. REF. N.A. SCALE 1-1/2"=1'0"



DIMENSIONAL - BLOCK
ARCH. REF. N.A. SCALE: N.A.

CBB-201

ELEV. - BLOCK
ARCH. REF. N.A. SCALE 1-1/2"=1'0"



DWG NO: SEE ABOVE

DWG TITLE: COFFERED BEAM DECORATIVE CAPS

DWG BY:

DATE: 6-5-18
REV. 1

REV. 2
REV. 3

REV. 4
REV. 5

ITEM NO: SEE ABOVE

FILED UNDER: DRAWINGS

SCALE: SEE ABOVE

DIM. TOLERANCE: N.A.



ALL ITEMS ARE DRAWN FOR PRESENTATION PURPOSES ONLY, THEREFORE IMAGE SHOWN MAY VARY SLIGHTLY FROM FINISHED ACTUAL PART. DRAWING SHOWN IS TO INDICATE GENERAL ARRANGEMENT AND DESIGN. MOOSE ARCH RESERVES THE RIGHT TO CHANGE ANY PRODUCT DESIGN WITHOUT NOTIFICATION.