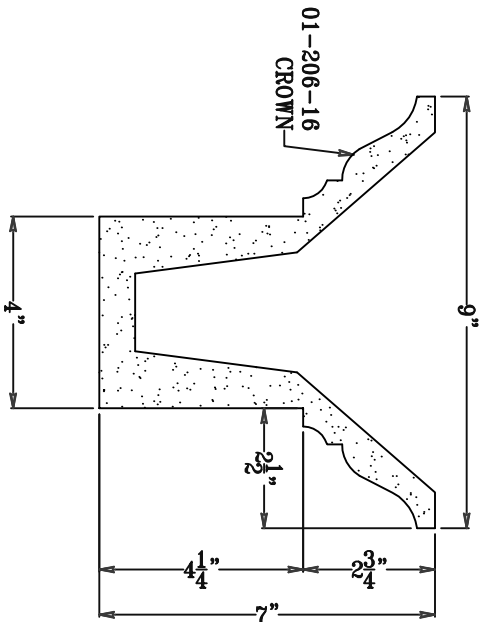


Customer Signature:

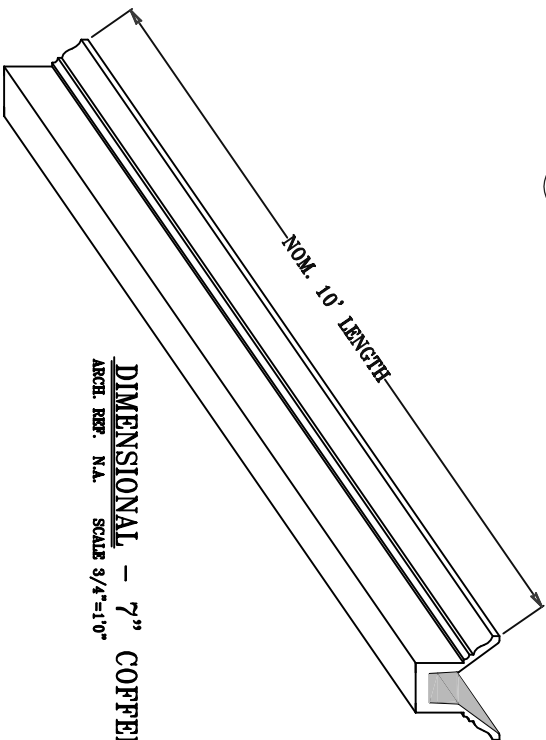
Date:

MADE IN THE U.S.A.

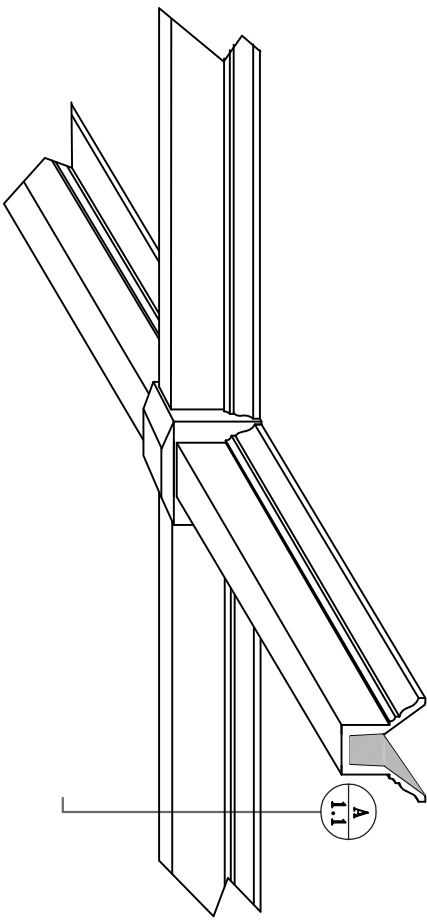
- NOTES: 1. FINISHED PART MAY VARY SLIGHTLY FROM DRAWING.
 2. BLOCKING AREA ON BACK OF PART MAY BE SLIGHTLY DIFFERENT THEN DRAWING SPECIFIES. USE ONLY PRODUCTION PART FOR BLOCKING ON FINISHED SURFACE.



A
 1.1 SECTION - 7" COFFERED BEAM
 ARCH. REF. N.A. SCALE 3/4"=1'0"



DIMENSIONAL - 7" COFFERED BEAM
 ARCH. REF. N.A. SCALE 3/4"=1'0"



DIMENSIONAL - 7" COFFERED BEAM ASSEMBLY
 ARCH. REF. N.A. SCALE : N.A. WITH DECORATIVE CAP

DWG NO: CB-101-C

DWG TITLE: 7" X 4" COFFERED BEAM

DWG BY:	DATE:	REV. 1	REV. 2	REV. 3	REV. 4	REV. 5
	6-5-18					

FILED UNDER:	SCALE:	SEE ABOVE
--------------	--------	-----------

ITEM NO:	CB-101-C
DIM. TOLERANCE:	N.A.

ALL ITEMS ARE DRAWN FOR PRESENTATION PURPOSES ONLY, THEREFORE IMAGE SHOWN MAY VARY SLIGHTLY FROM FINISHED ACTUAL PART. DRAWING SHOWN IS TO INDICATE GENERAL ARRANGEMENT AND DESIGN. MOOSE ARCH RESERVES THE RIGHT TO CHANGE ANY PRODUCT DESIGN WITHOUT NOTIFICATION.

